

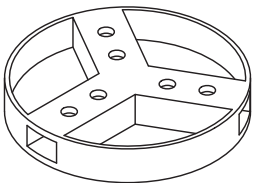
butus stool

Minimalist stacking stool you can print in one color or also you can make crazy colorful stool from remnants of materials

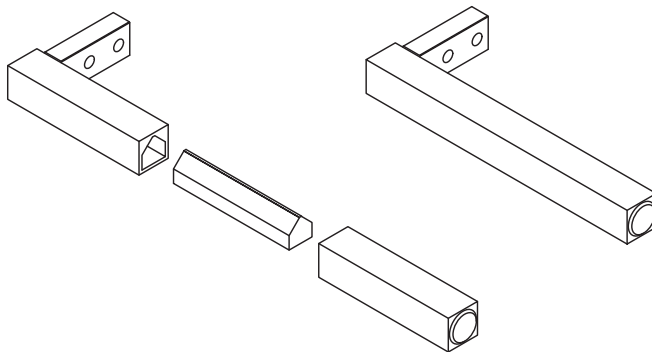
Minimal printer bed size: 300x300mm

+ - 2kg material

Seat



Legs



Joints



Recommended settings

Nozzle size

0,6mm / 0,8mm

Layer Height

0,2mm

Perimeters (Wall lines)

2

Infill

15%

Top & Bottom Layers

8

* Increase perimeters and infill for a firmer print

Assembling

Apply glue to the parts and slide them into each other. Each printer has different tolerances and therefore there is a plate model you can z-scale to keep the parts tight. Print a washer plate model so you do not have gaps between the parts.

