

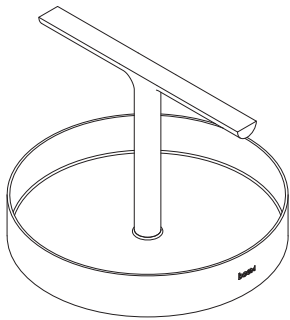
grab a plate ^{3D}

boem



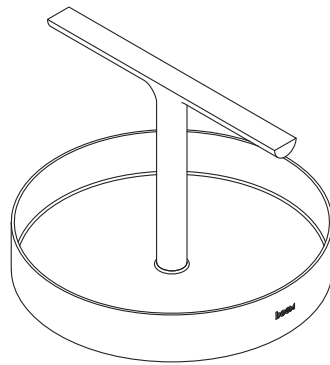
grab a plate

Minimalist plate with a handle that you can take anywhere you need. You can print it as big as your printer. And it can also float on water.



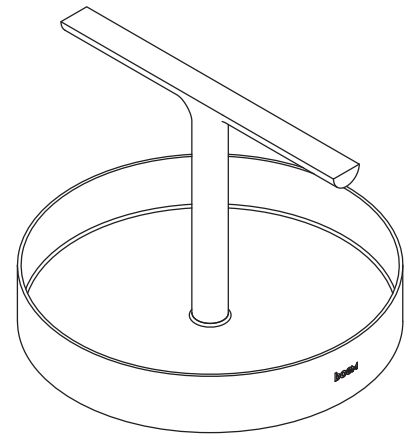
70%

∅ 207mm / 8.15in



100%

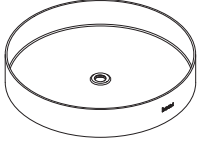
∅ 296mm / 11.65in



150%

∅ 444mm / 17.5in

Recommended settings (100%)



Plate

Nozzle size

0,4mm or 0,8mm

Layer Height

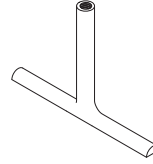
0,2mm

Perimeters (Wall lines)

2

Infill

20% or more



Back Cylinder & lid

Nozzle size

0,4mm or 0,8mm

Layer Height

0,2mm

Perimeters (Wall lines)

2

Infill

20% or more

Recommended settings (100%)



Screw

Nozzle size

0,4mm

Layer Height

0,2mm

Perimeters (Wall lines)

3

Infill

25%