

hold the phone <sup>3D</sup>

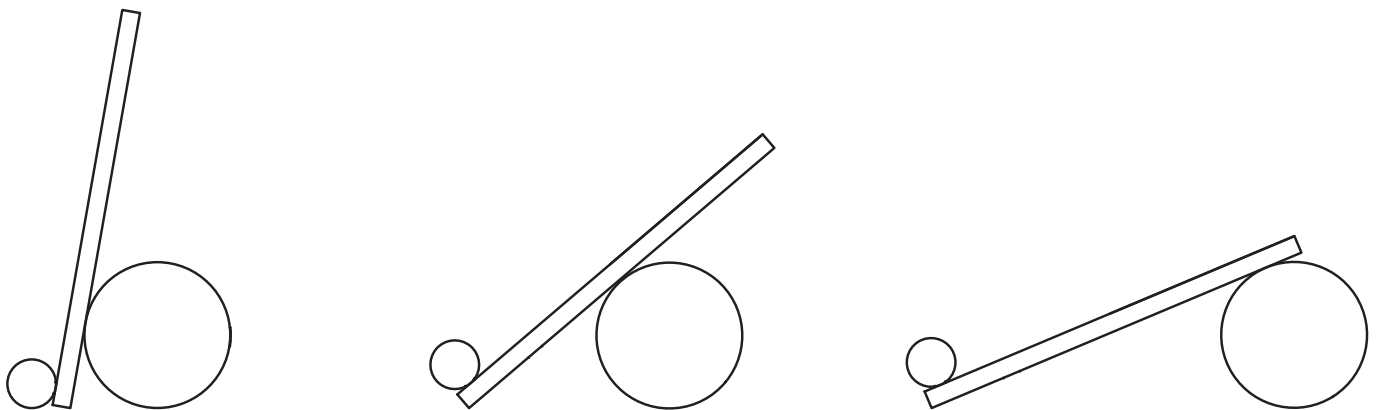
boem



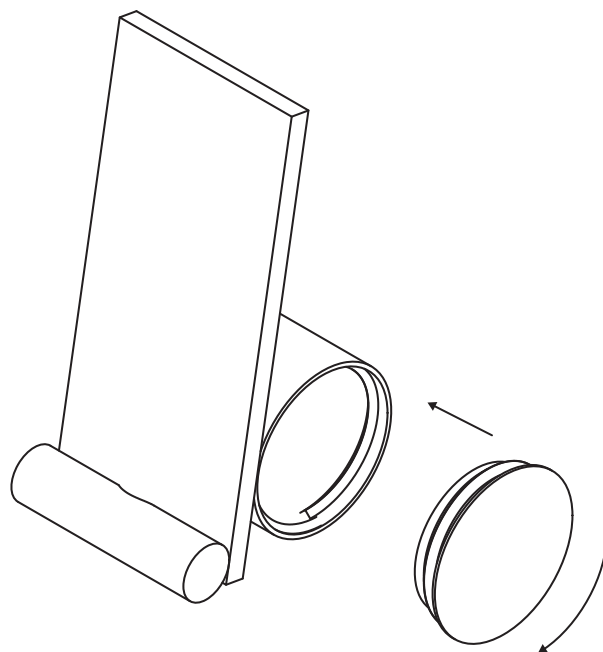
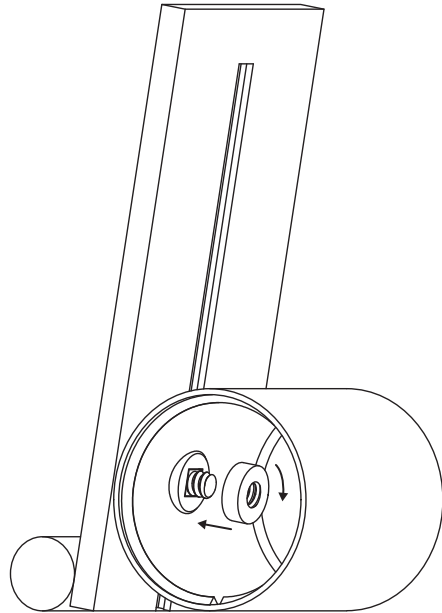
## hold the phone

When you are calling with your loved ones, cooking or watching videos on your phone, you need to have your phone at the right angle.

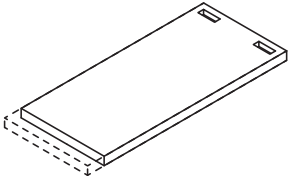
This minimalist dock helps you to precisely set the exact angle by sliding the cylinder along the board. Thanks to the nut inside, you can tighten the slide and lock the position. There is also enough space in the cylinder, so you can store a cable or cards inside.



# hold the phone



# Recommended settings



## Board

### Nozzle size

0,4mm

### Layer Height

0,2mm

### Perimeters (Wall lines)

2

### Top Layers

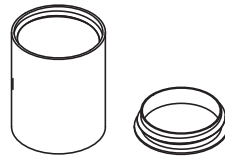
6

### Infill

25%

### Line Directions | Fill Angle

[90]



## Back Cylinder & lid

### Nozzle size

0,4mm

### Layer Height

0,2mm

### Perimeters (Wall lines)

2

### Infill

No

### Initial Layer Pattern | Bottom Fill Pattern

Concentric

# Recommended settings



## Front Cylinder

### Nozzle size

0,4mm

### Layer Height

0,2mm

### Perimeters (Wall lines)

2

### Infill

25%



## Back Cylinder

### Nozzle size

0,4mm

### Layer Height

0,16mm

### Perimeters (Wall lines)

3

### Infill

No