

piano table ^{3D}

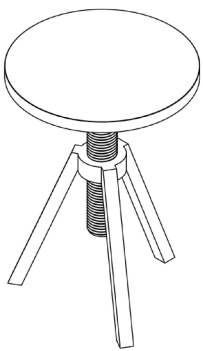
boem



piano table

This table can change its height by turning the thread. You can also print it in any size, depending on how big your printer is.

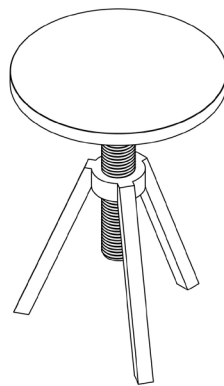
∅ 295mm / 11.61in



H: 380-500mm / 14.96-19.68in

100%

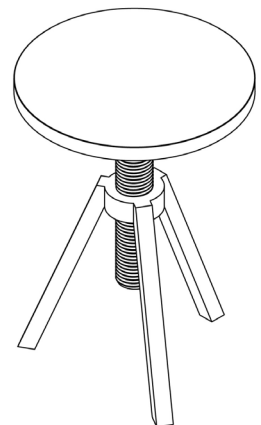
∅ 393mm / 15.47in



H: 505-665mm / 19.88-26.18in

133%

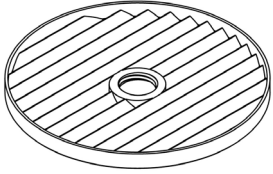
∅ 443mm / 17.44in



H: 570-750mm / 22.44-29.52in

150%

Recommended settings



Top

Nozzle size

0,4mm

Layer Height

0,2mm

Perimeters (Wall lines)

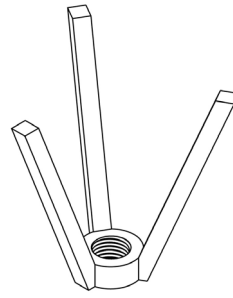
3

Bottom Layers

7

Infill

10%



Leg

Nozzle size

0,4mm

Layer Height

0,2mm

Perimeters (Wall lines)

4

Bottom Layers

7

Infill

10%

* Increase perimeters and infill for a firmer print

* Use large nozzle and increase layer height for faster printing

Recomended settings



Thread

Nozzle size

0,4mm

Layer Height

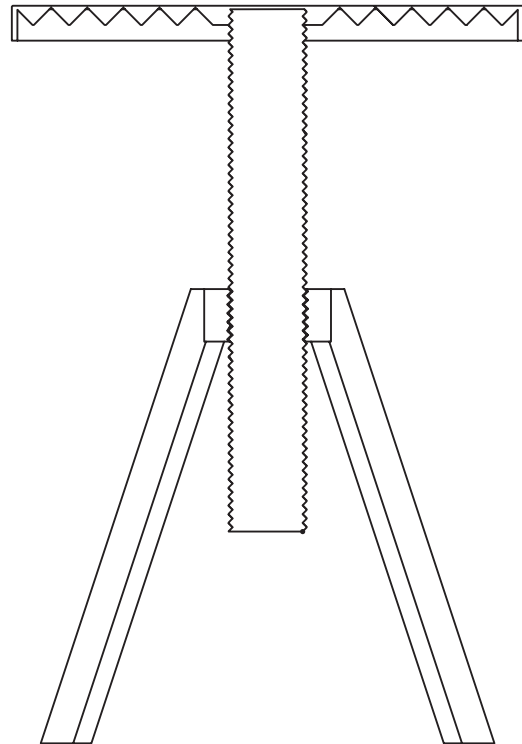
0,2mm

Perimeters (Wall lines)

2

Infill

20%



* If your print is wider and the thread is too tight, there are two other thread models with a larger offset in the thread_offset folder

* Increase perimeters and infill for a firmer print

* Use large nozzle and increase layer height for faster printing